



BASKET BLASTERS

ISTblast Basket Blasters is the ultimate solution to automate the peening, finishing, or cleaning process of small parts. These heavy-duty machines are fast, efficient, economical, and integrate seamlessly your current production flow.

Simply load parts into the tumbler, set the process timer, and let these time-saving machines do the work for you. By tumbling parts within abrasive media streams, all surfaces will be covered evenly. Not only they save you time, but they also produce consistent results that no other manual process can reproduce. You have full control over the wanted finish and processing time by varying the air pressure, abrasive media, and tumbling speed.

The Basket Blasters are available in three versions to better fit your application and meet your budget constraint:

Model	Basket size	Capacity
M2024SBB1010	10" diameter x 10" wide	20.5 lb / ½ cu.ft.
M4248SBB1630	30" diameter x 16" wide	250 lb / 1½ cu.ft.
M4248SBB3030	30" diameter x 30" wide	350 lb / 3½ cu.ft.

KEY FEATURES

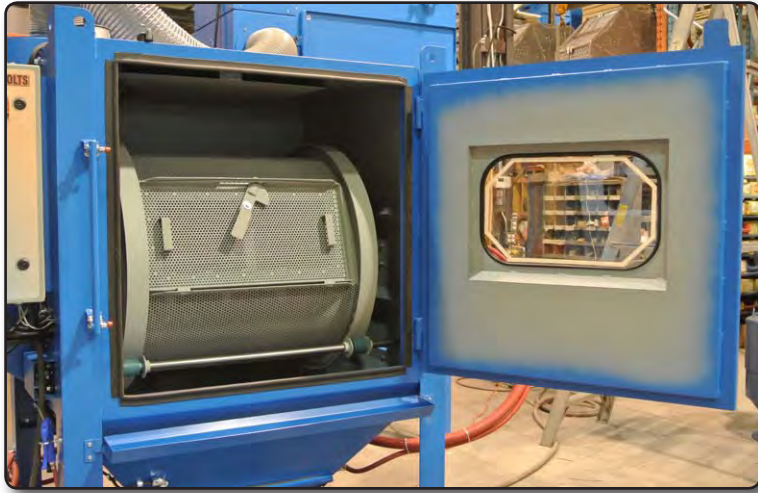
- Blow-off gun
- Low-maintenance direct drive motor
- Door lock system compliant with OSHA regulations
- Supplied with an adjustable media reclaiming system
- Heavy-duty construction with 12-gauge painted steel
- Supplied with long-lasting boron carbide blast guns
- Unloading chute at bottom of cabinet for easy parts handling
- Choice of bag-house or cartridge-type dust collection system
- ⅜"-gauge perforated basket with choice of ⅝" or ⅛" diameter perforations
- Automated process controlled by PLC and interfaced with intuitive HMI touch panel
- Full control over process parameters by varying abrasive media, air pressure, and rotation speed
- Ideal to use with glass beads, aluminum oxide, steel grit, steel shot, and nutshells or plastic media of any size

OPTIONS

- Lateral oscillating nozzles
- Available in non-standard voltages
- Coated basket for long-lasting service life
- Automatic bag shaker or reverse pulse cleaning system on dust collector
- HEPA filter on dust collector able to capture 99.9% of foreign particulates down to 0.5 micron



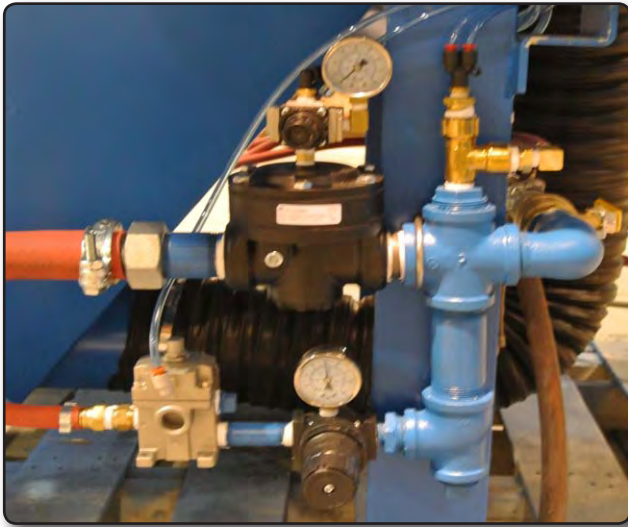
KEY COMPONENTS AND OPTIONAL FEATURES



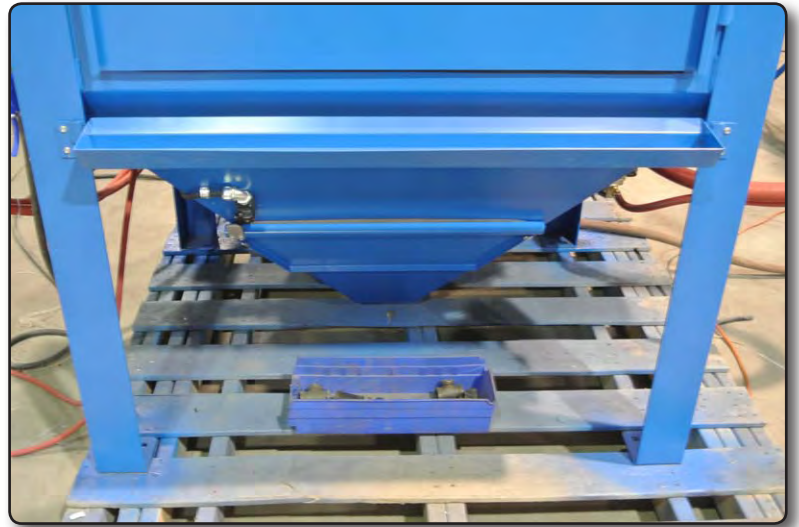
Tumble Basket blaster with Loading Door



Basket Direct Drive Motor



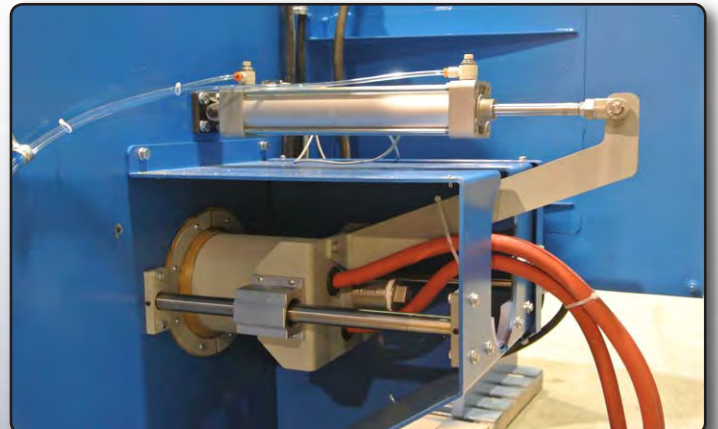
Adjustable Pressure Valve



Unloading Chute



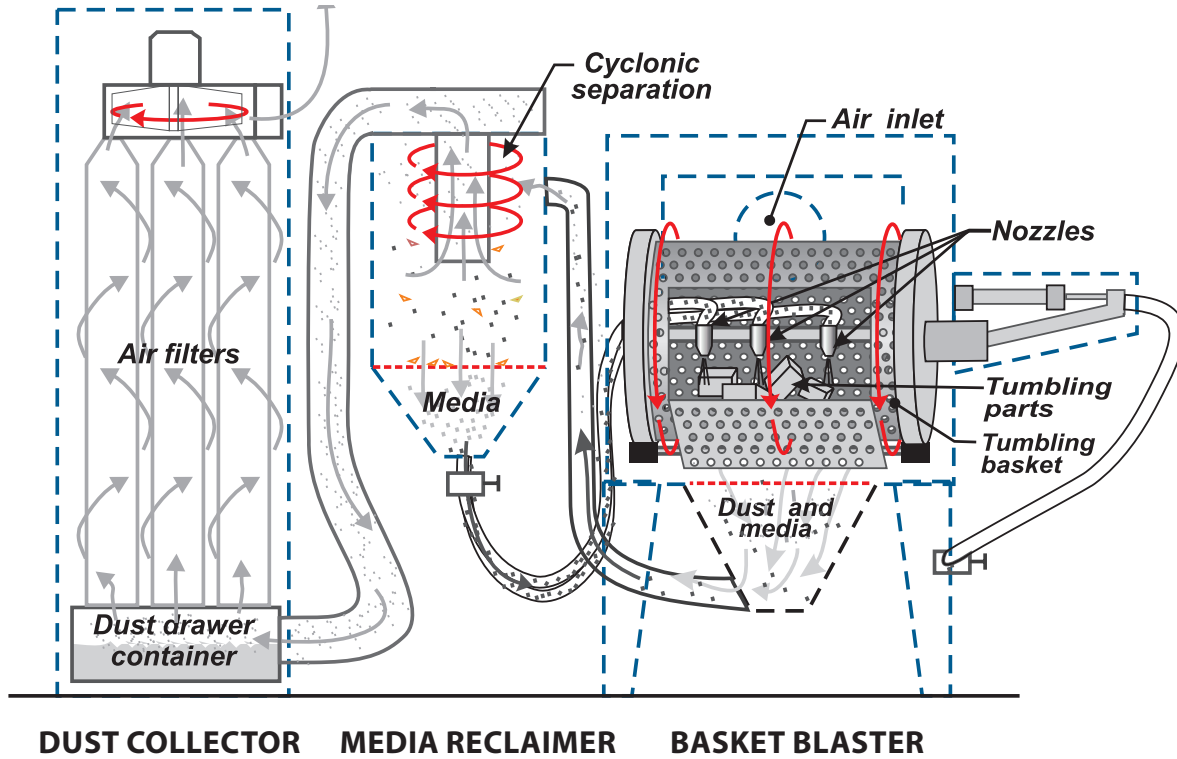
Lateral Oscillating Blast Guns



Pneumatic Cylinder for Blast Guns Shaft

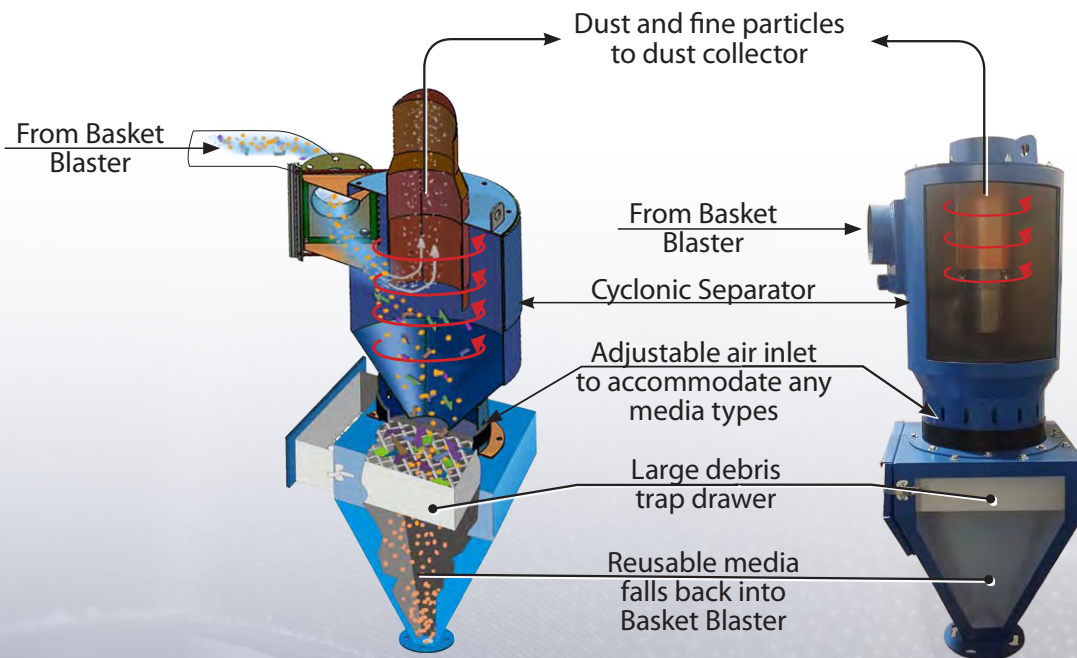


HOW IT WORKS



MEDIA RECLAIMING SYSTEM

IST's abrasive media reclaiming systems consist of cyclonic separator to efficiently separate contaminants (dust, rust flakes, paint chips, shattered media, etc.) from reusable abrasive media, allowing for substantial savings on abrasive media consumption and overall process optimization. Air flow can be adjusted according to media types and sizes, as well as dust particle size.





DUST COLLECTION SYSTEM

BAG-HOUSE DUST COLLECTOR

Very efficient shaker dust collection system with very limited supervision and maintenance required. Nanofiber media is able to capture 99.95 % of all particles down to 3 µm or larger. Filter media is cleaned by a pneumatic shaker activated by a push button on the side.

SPECIFICATIONS	DCM50	DCM100	DCM230	DCM330
Filter Area (square feet)	50	100	230	330
Fan motor (hp/cfm)	0.5/400	1/600	3/1,200	5/1,800
Weight (lb)	300	400	525	700
Overall dim's (DxW)	23" x 23"	28" x 28"	38" x 38"	
Overall height (H)	96"	103"	112"	137"
Door opening (WxH)	20" x 35"		23" x 35"	



CARTRIDGE-TYPE DUST COLLECTOR

Offers exceptional filtration capacities and virtually maintenance free. Cartridge media can capture 99.9% of particles down to 1 µm or larger. Cartridges are cleaned by a pneumatic reverse pulse cleaning system activated automatically by the DCT1000 controller when differential of static pressures between the clean and the dirty side of filters exceeds a certain limit.

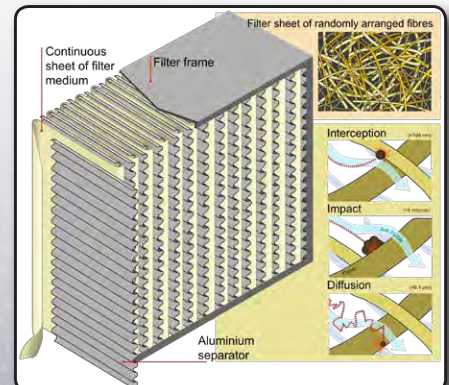
SPECIFICATIONS	DCM600	DCM900	DCM1200
Filter Area (square feet)	562	562	1,124
Fan motor (hp/cfm)	1/600	2/900	3/1,200
Weight (lb)	900	915	1,100
Overall dim's (DxW)	42" x 41"	42" x 41"	55" x 37"
Overall height (H)	122"	122"	137"
Door opening (WxH)	23" x 37"	23" x 37"	42" x 40"



HEPA FILTER

Optional High Efficiency Particulate Air (HEPA) filter captures 99.97 percent of the remaining dust particles (down to 0.3 microns).

Our freestanding HEPA filter connects to any ISTblast cartridge-type dust collector.





M2024SBB1010 MODEL

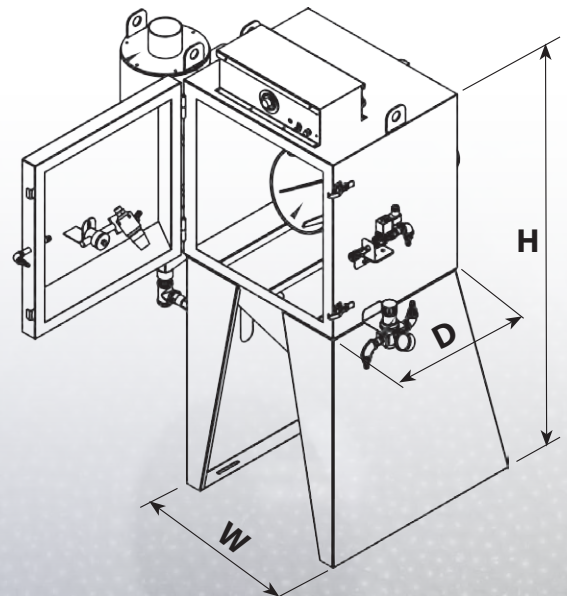


INTERIOR VIEW

SPECIFICATIONS

DESCRIPTION	M2024SBB1010
Overall Dimension (D x W x H)	50" x 29" x 96"
Basket Size (diam. x width)	10" x 10"
Basket Capacity	20 lb / ½ cu. ft.
Door Opening (W x H)	12" x 12"
Blast Gun	SH-5
Number of blast guns	1
Standard Nozzle	5/16" I.D. Boron Carbide
Pressure at the nozzle at 80 psi	40 cfm
Oscillation	No
Dust Collector	DCM50
Fan Motor (hp/cfm)	0.5/400
Filter Area (sq. ft.)	50
Filter Media	Nanofiber Bag

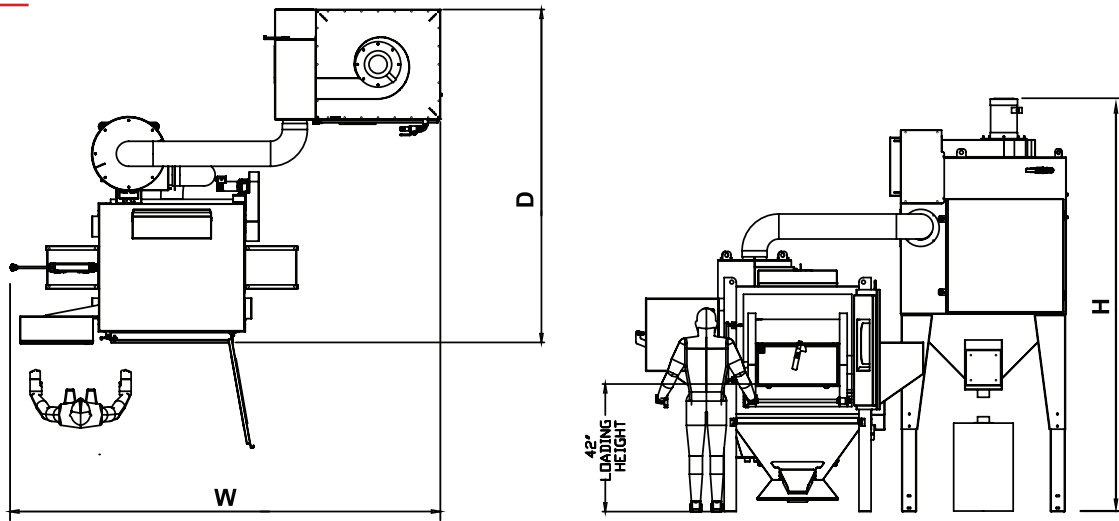
FLOOR PLAN





FLOOR PLAN

M4248SBB1630 & M4248SBB3030 MODEL



SPECIFICATIONS

DESCRIPTION	M4248SBB1630	M4248SBB3030
Overall Dimension* (D x W x H)	83" x 52" x 103"	83" x 52" x 112"
Basket Size (diam. x width)	30" x 16"	30" x 30"
Basket Capacity	250 lb / 1½ cu. ft.	350 lb / 3½ cu. ft.
Door Opening (W x H)	36" x 18"	36" x 24"
Blast Gun	SH-5	
Number of blast guns	2	3
Standard Nozzle Size / Type	5/16" I.D. Boron Carbide	
Oscillation	No	Yes (Pneumatic)
Standard Dust Collector	DCM100	DCM230
Fan Motor (hp/cfm)	1/600	2/900
Filter Area (sq. ft.)	100	230
Filter Media	Nanofiber Bag	
Optional Dust Collector	DCM600	DCM1200
Fan Motor (hp/cfm)	2/600	3/1,200
Filter Area (sq. ft.)	562	1,124
Filter Media	Cartridge	



*Dimensions are given with standard dust collector.

AIR CONSUMPTION PER NOZZLE					
Pressure at the nozzle (psi) ¹	40	50	60	70	80
Air Flow (cfm) ²	19	23	27	30	34

¹psi: pound per square inch. Optimal working pressure for this equipment is **80 psi**.

²cfm: cubic feet per minute given for supplied 5/16" I.D. nozzle. Can consume less air when using smaller I.D. nozzle. Air consumption will increase as nozzle wears out.

