

BAGHOUSE DUST COLLECTOR DC100 TO 330



- Warranty
- Safety
- Operation
- Service Parts
- Accessory Information
- Registration Form



INSTRUCTION MANUAL

TABLE OF CONTENTS

	Page
INTRODUCTION.....	3
NOTICE TO PURCHASERS AN	4
USE AND EQUIPMENT MAINTENANCE	5
GENERAL SAFETY RULES	5
PERSONAL SAFETY.....	5
INSTALLATION.....	6
BAGHOUSE DUST COLLECTOR - PARTS & CHARTS.....	7, 8
MAINTENANCE DUST COLLECTOR	9
ISTBLAST LIMITED WARRANTY	10
ISTBLAST LIMITED WARRANTY	11
ABOUT THE COMPANY	12

INTRODUCTION

Welcome to the ISTblast® family of sandblasting products. This booklet contains helpful information and acquaints you with the operation and maintenance of your equipment. Please read carefully and follow our recommendations to assure trouble free operation. If you have any questions, please do not hesitate to contact your distributor or our technical service.

1. Carefully inspect the shipping carton for any signs of transport damage. The damage to the carton often indicates possibility of transport damage to the equipment inside.
2. Carefully remove your ISTblast dust collector from the shipping carton and skid.
3. Check your equipment immediately to ensure that it is free of transport damage. Report any transport damage to the carrier without delay for possible claim procedures. ISTblast is not responsible for damage to equipment after it leaves our warehouse.
4. Check the equipment received and compare it with the parts you have received. If any parts are missing, contact the supplier you purchased the equipment from.

Before operating the ISTblast dust collector, read this Instruction Manual completely. All ISTblast products are engineered and manufactured to the highest performance standards and have been subjected to detail testing before shipment from the factory.

NOTICE TO PURCHASERS AND USERS OF OUR PRODUCTS AND THIS INFORMATIONAL MATERIAL

The products described in this material, and the information relating to those products, is intended for knowledgeable, experienced users of abrasive blasting equipment.

No representation is intended or made as to the suitability of the products described herein for any particular purpose of application. No representations are intended or made as to the efficiency, production rate, or the useful life of the products described herein.

Any estimate regarding production rates or production finishes are the responsibility of the user and must be derived solely from the user's experience and expertise, and must not be based on information in this material.

The products described in this material may be combined by the user in a variety of ways for purposes determined solely by the user. No representations are intended or made as to the suitability or engineering balance of the combination of products determined by the user in his selection, nor as to the compliance with regulations or standard practice of such combinations of components or products.

It is the responsibility of the knowledgeable, experienced users of the products mentioned in this material to familiarize themselves with the appropriate laws, regulations and safe practices that apply to these products, equipment that is connected to these products and materials that may be used with these products.

It is the responsibility of the user to insure that proper training of operators has been performed and a safe work environment is provided.

Our company is proud to provide a variety of products to the abrasive blasting industry, and we have confidence that the professionals in our industry will utilize their knowledge and expertise in the safe efficient use of these products.

GENERAL SAFETY RULES

- **KEEP WORK AREA CLEAN.**
- **KEEP CHILDREN AWAY.** Do not let visitors come in contact with the equipment. All visitors should be kept away from the work area.

PERSONAL SAFETY

WARNING

SANDBLAST CABINET MAY EMIT POTENTIALLY HAZARD DUST AND AIRBORNE CONTAMINANTS DURING OPERATION. YOU MUST WEAR APPROPRIATE BREATHING PROTECTION AT ALL TIMES WHILE OPERATING OR STANDING AROUND THE UNIT.

- **GUARD AGAINST ELECTRIC SHOCK.** Non-skid footwear is recommended where damp or wet ground may be encountered. A ground fault circuit interrupter protected power line must be used for these conditions.
- **DRESS PROPERLY.** Do not wear loose clothing or jewelry. They can be caught in the moving parts. Wear protective hair covering to contain long hair.
- **USE SAFETY EQUIPMENT. WEAR SAFETY GOGGLES** or glasses with side shields.
- **WEAR A DUST PROOF MASK.**
- **STAY ALERT. USE YOUR COMMON SENSE.** Concentrate on what you are doing. Do not operate the unit when you are tired or under the influence of drugs or alcohol.
- **DO NOT OVERREACH.** Keep proper footing and balance at all times.

UNIT USE AND CARE

- * **DO NOT FORCE THE UNIT.** It will perform better and safer at the rate for which it was designed.
- * **THE USE OF ANY OTHER ACCESSORIES** not specified in this manual may create a hazard.
- * **CLOSE THE MAIN BREAKER SWITCH BEFORE SERVICING** or when not in use.
- * **DO NOT ALTER OR MISUSE THE UNIT.** These units are precision built. Any alteration or modification not specified is misuse and may result in a dangerous situation.

Only trained repairmen should attempt (*) ALL REPAIRS, electrical or mechanical. Contact the nearest IST ISTblast repair service facility. Use only IST ISTblast replacement parts; any other parts may create a hazard.

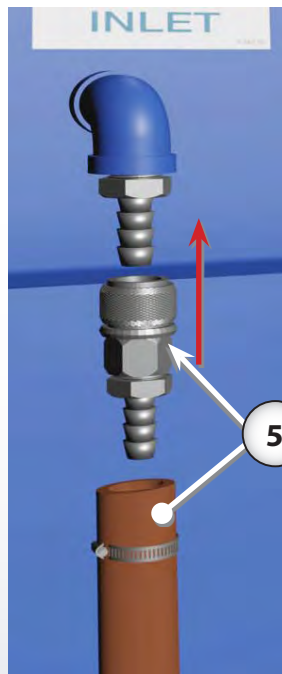
ENVIRONMENTAL CONDITIONS FOR WHICH THE EQUIPMENT IS DESIGNED

- Indoor location
- Altitude 2 000 m max.
- Ambient temperature: 40 °C max.
- Relative humidity: 80 %
- Main supply voltage fluctuation +/-10 %
- To use with noncombustible dust only

INSTALLATION (CONT'D)



6. Connect one end of the tubular transport of abrasive at the exit of recycling ① and the other end at the entrance at the bottom of the scrubber ②. Secure each end of the hose with clamps included with the hose.
7. The wire is removed on the first 2 or 3 inches. Be careful not to damage the hose. The wire helps dissipate static electricity inside the hose. For the static is dissipated, each segment must be in contact with the metal of which must have a firm grounding installed.
8. For dust collector with the dust collecting drum option, make sure that the drum is properly located under the dust collector and that it has been correctly secured to it.
10. For dust collectors equipped with a muffler option you must install it directly to the air outlet of the fan. Simply bolt it on the adapter. To ensure right air circulation, it is essential to keep 18 inches of clearance in front of the air outlet of the muffler. See details in section MUFFLER INSTALLATION on pages 8 & 9.
11. Connect your shop's air supply line to the dust collector air inlet. Your air supply is coupled to the air inlet with a ¼ inch male quick connect coupling ⑤ (see details page 8).



Air dryer (optional)

To properly operate, your IST system must use clean, dry air. Use proper filters, air dryers, and air purifying systems to ensure clean and dry air is supplied.

An isolating valve should be installed at the source of air (Air Inlet of cabinet) to depressurize the system for maintenance.

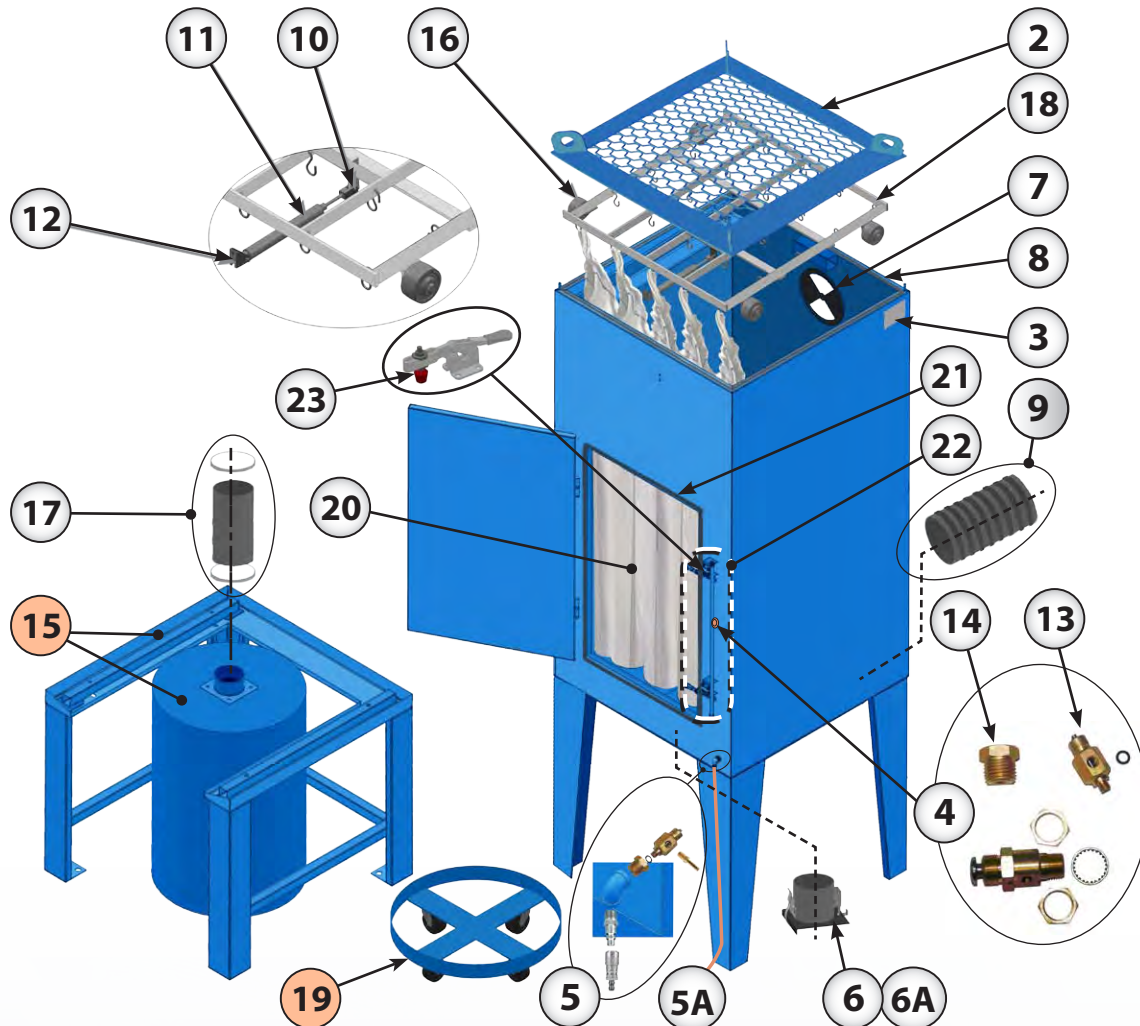
If you use a rigid conduit for your air duct, a flexible section must be installed to allow the opening of the door.

12. You need a maximum of 80 psi air supply for the standard, push button, pneumatic dust bag shaker of your equipment. Just press (more or less 10 times) the button on the side of the service door before starting operation.



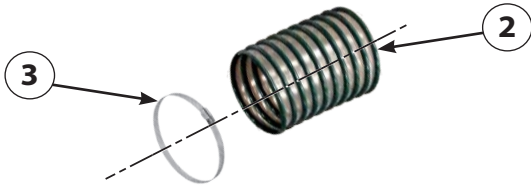
CAUTION IF YOU USE INTERLOCKING CONNECTIONS, SECURE THEM WITH PINS. A CONNECTION THAT DISCONNECTS UNDER PRESSURE, COULD CAUSE SERIOUS INJURY.

BAGHOUSE DUST COLLECTOR - GENERAL PARTS LIST



#	STOCK	DESCRIPTION	#	STOCK	DESCRIPTION
1	-/-	Hose & Clips: see parts page 15	10	608406	Clevis rod
2	601340	Top plate	11	608405	3/4" Ø x 3" stroke cylinder
3	NPN	Name plate	12	608407	Bracket for cylinder
4	608508	Pneumatic shaker button	13	608408	Flow adjust 10-32
5	NPN	Air inlet (quick connect 1/4" M # 607222, & 1/4" F # 607219)	14	608409	1/4" adaptor
5A	606112	Urethane hose 1/8"	15	601486	Dust barrel & extens. legs option
6	601371	Dust trap	16	619005	2" wheel
6A	618305	1/2" x 1" self-adhesive rubber foam (sold per foot)	17	609158	4" dust hose (SOLD PER FOOT)
7	610280	8" adjustable air inlet	18	601309	"S" hook
8	618318	1/4" x 1/2" self-adhesive rubber foam	19	501182	Optional trolley for 15 gal barrel
9	606171	7" dust conveying hose (sold per foot)	20	601316	DB 6 hp dust bags (Qty : 16)
9A	624127	7" Hose Clamp (sold per foot)	21	618321	Type "D" rubber (sold per foot)
			22	610287	Complete door handle
			23	610223	Door latch

BAGHOUSE DUST COLLECTOR - GENERAL PARTS LIST (CONT'D)

1


CORRUGATED SUCTION HOSES AND CLAMPS

Fan Motor (hp)	Hose ID	Hose ②	Clamp ③
1	6"	606169	624124
2	7"	606171	624127
3	8"	606173	624128
5	10"	606177	624137

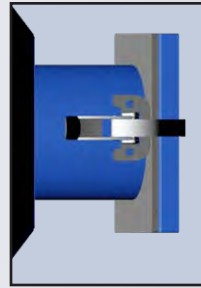
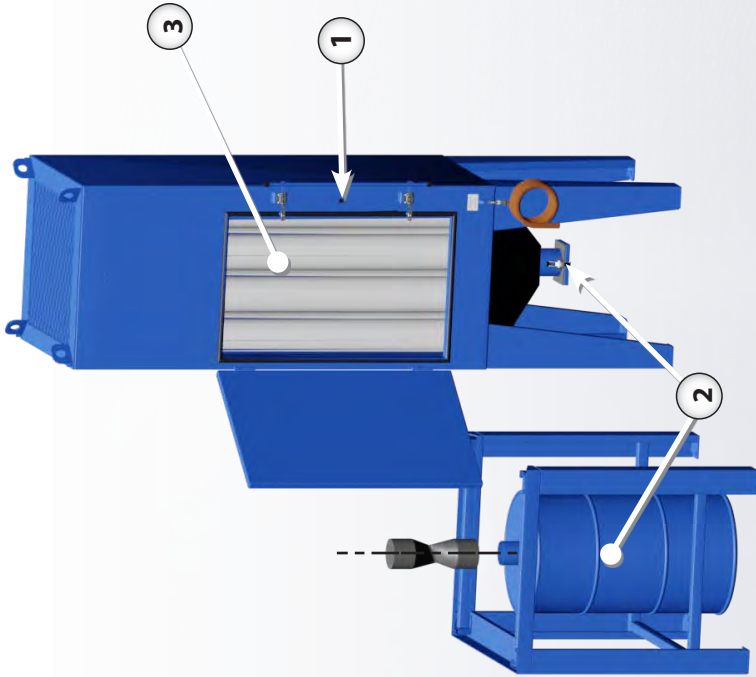
#	STOCK	DUST BAGS
20	601316	DC 100 : DB6HP dust bags (Qty : 16)
		DC 160 : DB6HP dust bags (Qty : 25)
		DC 230 : DB6HP dust bags (Qty : 36)
	601308	DC 330 : DB9HP dust bags (Qty : 36)

MAINTENANCE

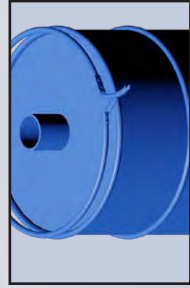
DAILY MAINTENANCE & OPERATION

For the first two weeks of use, you should not shake the dust collector's bags. This will allow the dust to create a thin layer on the inside of the bag, increasing the filtering efficiency. It also explains why new bags may leak for the first hours of use.

1. If your dust collector is equipped with the automatic shacker option, the action will occur automatically at motor's shut down
2. Remove dust from the dust collector on a regular basis. Before opening the door, make sure to have a container under the trap to collect the dust. **(picture 1)**
If you are equipped with the dust drum option simply open the lid with the ring's lever **(picture 2)** and empty dust.
3. After each use, turn off the impeller and shake bags inside the dust collector. Never shake bags while the cabinet is running.
4. Empty optional dust barrel or dust collector's bottom hopper regularly.



Picture 1



Picture 2

#	STOCK	DESCRIPTION
3	601316	DB-6 BAGHOUSE

WARNING

Never shake bags while the cabinet is running. Never wash bags, instead use compressed air, blowing from the outside to the inside of the bag, (the opposite would clog the bag's pores and make it unusable).

Bag shacking should never occur while the electric motor is running. Always wait for complete stop of electric motor to avoid tearing off bags.

EVERY 2,000 HOURS OF OPERATION

Replace bags **3** when the dust collector is unable to evacuate the dust cloud from the cabinet or after every 2,000 hours of operation.

ISTBLAST LIMITED WARRANTY

ISTblast warrants all equipment led in this manual which is manufactured by **ISTblast** and bearing its name, to be free from defects in material and workmanship on the date of sale by an authorized **ISTblast** distributor to the original purchaser for use. Notwithstanding any special, extended or limited warranty published by **ISTblast** will, for a period of TWELVE (12) months from the date of sale, repair or replace any part of the equipment determined by **ISTblast** to be defective. This warranty applies only when the equipment is installed, operated and maintained in accordance with **ISTblast** 's written recommendations.

This warranty does not cover, and **ISTblast** shall not be liable for general wear and tear, or any malfunction, damage or wear caused by faulty installation, misapplication, abrasion, corrosion, inadequate or improper maintenance, negligence, accident, tampering, or substitution of non- **ISTblast** component parts. Nor shall **ISTblast** be liable for malfunction, damage or wear caused by the incompatibility with **ISTblast** equipment with structures, accessories, equipment or materials not supplied by **ISTblast** , or the improper design, manufacture, installation, operation or maintenance of structures, accessories, equipment or materials not supplied by **ISTblast** .

This warranty is conditioned upon the prepaid return of the equipment claimed to be defective to an authorized **ISTblast** distributor for verification of the claimed defect. If the claimed defect is verified, **ISTblast** will repair or replace free of charge any defective parts. The equipment will be returned to the original purchaser, transportation prepaid. If the inspection of the equipment does not disclose any defect in material or workmanship, repairs will be made at a reasonable charge, which charges may include the costs of parts, labor, and transportation.

THIS WARRANTY IS EXCLUSIVE, AND IS IN LIEU OF ANY OTHER WARRANTIES, EXPRESSED OR IMPLIED, INCLUDING BUT NOT LIMITED TO WARRANTY OF MERCHANTABILITY OR WARRANTY OF FITNESS FOR A PARTICULAR PURPOSE.

ISTblast 's sole obligation and the buyer's sole remedy for any breach of warranty shall be as set forth above. The buyer agrees that no other remedy (including, but not limited to, incidental or consequential damages for lost profits, lost sales, injury to person or property, or any other incidental or consequential loss) shall be available. Any action for breach of warranty must be brought forward within one (1) year of the date of sale.

ISTblast MAKES NO WARRANTY, AND DISCLAIMS ALL IMPLIED WARRANTIES OF MERCHANTABILITY AND FITNESS FOR A PARTICULAR PURPOSE, IN CONNECTION WITH ACCESSORIES, EQUIPMENT, MATERIALS OR COMPONENTS SOLD BUT NOT MANUFACTURED BY ISTblast . These items sold, but not manufactured by **ISTblast** (such as electric motors, switches, hose, etc.), are subject to the warranty, if any, of their manufacturer. **ISTblast** will provide the purchaser with reasonable assistance in making any claim for breach of these warranties.

LIMITATION OF LIABILITY

In no event will **ISTblast** be liable for indirect, incidental, special or consequential damages resulting from **ISTblast** supplying equipment hereunder, or the furnishing, performance, or use of any products or other goods sold hereto, whether due to a breach of contract, breach of warranty, the negligence of **ISTblast** , or otherwise.

Report all accidents or "near misses" which involve **ISTblast products to:**

- **Technical Assistance**

The following items are not covered under the **ISTblast warranty policy:**

- **Parts or chassis replacement due to normal wears.**

Defective material or workmanship is not considered normal wear

INFORMATION / TECHNICAL ASSISTANCE

ISTblast is a registered trademark of:



For more information, pricing or technical support, contact your local IST distributor or call / fax to our Consumer Information numbers:

TEL.: 1 877 629-8202 & 450 963-4400

Or visit us at:
istsurface.com

ABOUT THE COMPANY

WHO WE ARE

IST is a leading manufacturer of equipment for the surface treatment industry and the solvent recycling industry. Our extensive line of equipment includes batch units and automated machines designed to achieve the highest manufacturing standards.

MISSION

IST works tightly with their customers to transform industrial processes to improve their quality, productivity, and environmental footprint.

OUR SERVICES

- Custom Design & Fabrication
- Installation & Startup
- Preventative Maintenance Program
- Private Labels
- Testing Lab
- 24/7 Technical Support 5656

INDUSTRIES WE SERVE

- Aerospace & Aviation
- Aluminium Smelters
- Automotive
- Construction & Civil Engineering
- Flexography (labelling) & Lithography
- Foundry & Forge
- General Manufacturing
- Military
- Power & Energy
- Rail & Mass Transit
- Shipyards
- Wood finishing

