



SANDBLASTING CABINET **TYPE ECO 420**



IST-Canablast ECO 420 is our entry level sandblasting cabinet and is ideal for handymen, casual users, and light-duty applications.

It offers all basic features an industrial cabinet should have, including a built-in dust collector to keep your sandblasting area free of dust particles, a foot pedal that controls the flow of abrasives from the sandblasting gun, dual side doors and a large front door for easy loading/unloading, and an air pressure regulator powerful enough to propel light weight abrasive media, such as Glass Beads and Garnet.

This cabinet can be used to remove scale or heavy rust from automotive parts, clean up rusty tools, etch glass, or other light-duty applications.

MARKETS

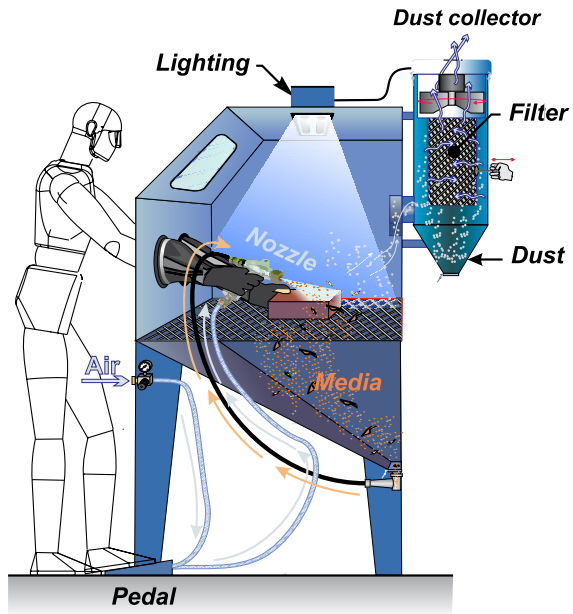
- Automotive Aftermarket
- Light Repair & Workshops
- Handymen

FEATURES

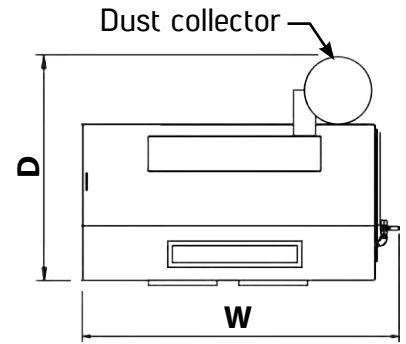
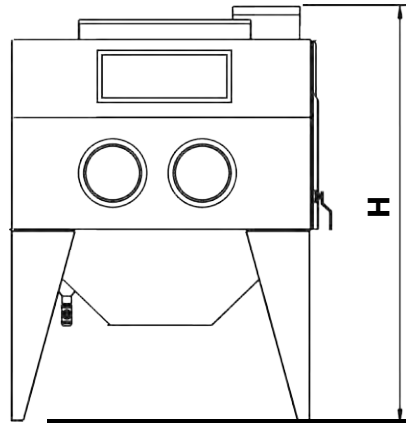
- ✓ Foot operated control valve.
- ✓ Side (2) and front (1) load doors.
- ✓ Air pressure regulator.
- ✓ Self-contained dust collection system with cartridge filter and convenient bottom gate clean out
- ✓ Included in the kit: cabinet and components, sandblasting gun, 4 ceramic nozzles, and required hardware. Assembly required.

The ISTblast ECO 420 is always ready when you are. The cabinet can be constantly connected to your air supply and is ready for immediate use when you step on the pedal. Use your new sandblast cabinet to remove scale or heavy rust from automotive parts, clean up rusty tools, etch glass, or any other special application.

HOW IT WORKS



FLOOR PLAN



PARTS



Dust collector



Air regulator



Foot valve



Sandblast Gun

SPECIFICATIONS

| Description | Value | Description | Value |
|-----------------|-------------------------|--------------------|---------|
| Air requirement | 125 max. psi @ 5-25 cfm | Overall Depth (D) | 35" |
| Power | 110 V | Overall Height (H) | 65 1/2" |
| Working area | 24" x 22" x 44" W | Overall Width (W) | 53" |
| Door opening | 19" H x 20" W | Weight (lb) | 375 |
| Product number | 628904 | | |