



INDUSTRIAL PAIL WASHER PW SERIES



Industrial Pail Washer is designed to wash the interior and the exterior of open pails ranging from ¼ to 5 gallons in size or other types of containers. An optional potholder can be used to hold smaller containers in place during washing.

The PW is fully pneumatic, features all explosion proof components, and can be located in Class I, Division I hazardous areas.

MARKETS SERVED

- General manufacturing
- Aerospace and aviation
- Automotive
- Paint shop
- Wood finishing

AVAILABLE MODELS

PW1 1 or 6-can capacity	PW2 2-pail capacity	PW4 4-pail capacity	PW8 8-pail capacity	PW12 12-pail capacity
				

COMPATIBLE PAINT PAILS



5 gal/19 L



1 gal/3.78 L



¼ gal/1 L

OTHER APPLICATIONS

- ✓ Mixer Blade Washing
- ✓ Hose Washing
- ✓ Pump Washing



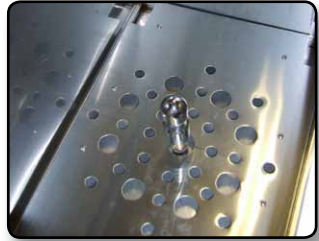
PW1 MODEL

PW1 Pail Washer can be set for cleaning 1 x 5 gal/19 L or up to 6 x 1 gal/3.78 L cans. It is made of durable galvanized steel for a long-lasting, rustproof finish.

WASHING CAPABILITIES



SINGLE PAIL VERSION



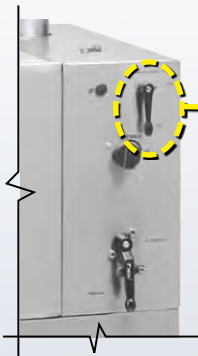
1 pail up to 5 gal/19 L
cleans inner surfaces
with one drape spray

6-CANS VERSION

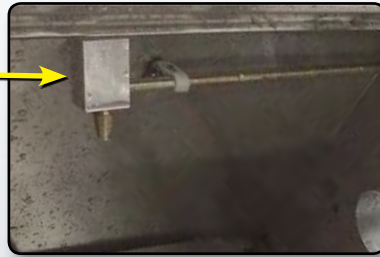


6 cans up to 1 gal / 3.78 L
cleans inner surfaces
with a multi jet high velocity nozzles

AVAILABLE OPTIONS




Manual Wash

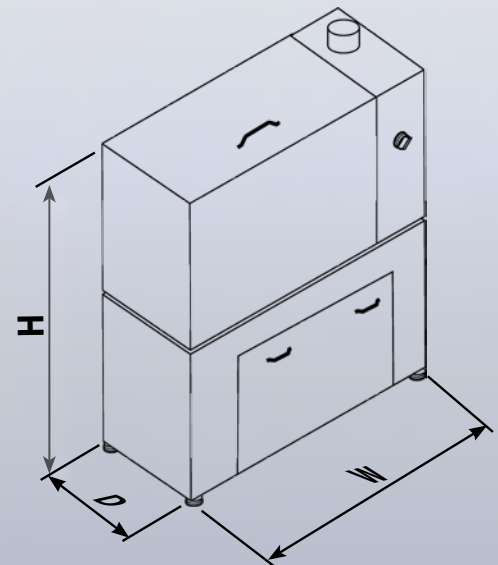


Lid Cleaning



TECHNICAL SPECIFICATIONS

	Single Pail	6 Cans
Overall Dim's H x D x W	40 $\frac{1}{8}$ " x 17 $\frac{1}{2}$ " x 33 $\frac{1}{4}$ "	45 $\frac{3}{4}$ " x 17 $\frac{1}{2}$ " x 33 $\frac{1}{4}$ "
Capacity	1 x 5 gal/19 L	6 x 1 gal /3.78 L
Pump capacity @ 75 psi (gal/min)	10.5	
Air input (psi)	75-100	
Air consumption (cfm)	4-7	5-9
Weight (lb)	132	143
Pump specifications	 GRACO	
Double diaphragm pump 10.5 gal/min capacity		





PW2 TO PW12 MODELS

Heavy-Duty PW2 to PW12 solvent washers are made of industrial quality painted steel for durable use and trouble-free. An optional stainless steel finish is available to resist rusting and solvent spills.

Optional Clean Rinse allows you to obtain a better cleaning quality by finishing the cleaning cycle with a separate clean solvent drum.

It is recommended to combine this washer with an ISTpure Solvent Recycler to reduce the operation costs and toxic wastes generated by the wash cycles.



Shown: PW4



AVAILABLE OPTIONS

Support

Maintains smaller containers in place



Stainless Steel Finish

Resists solvent spills and rusting



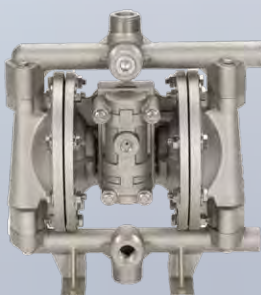
Clean Rinse Cycle

Optimize cleaning performance with clean rinse option



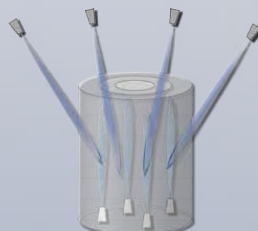
Diaphragm Pump

Powered by high performance double diaphragm pump(s)



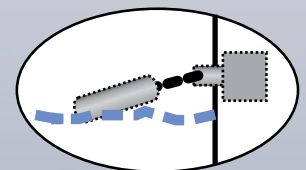
Spray Nozzles

Simultaneously cleans inner and outer surfaces



High Level Sensor

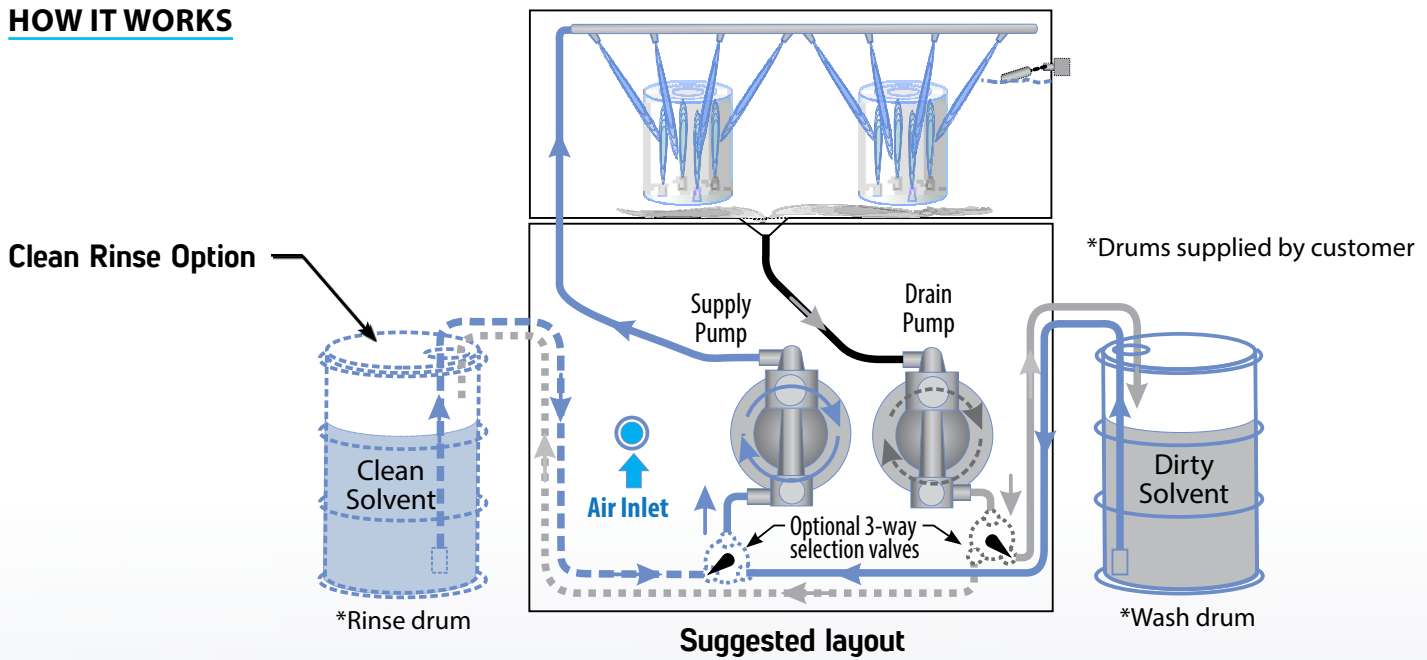
Optional high level sensor switch turns solvent supply off if drain is clogged



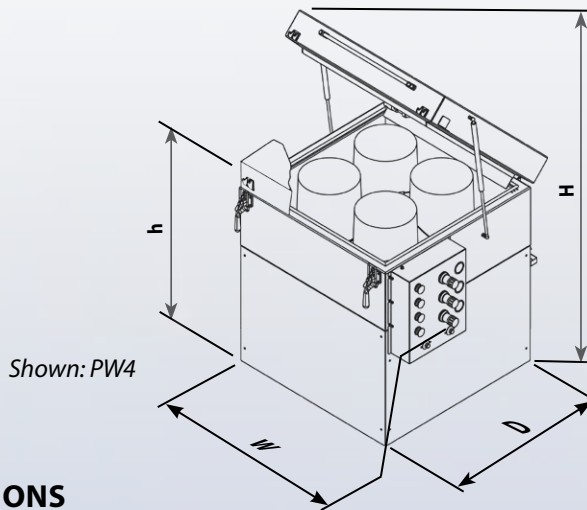


PW2 TO 12 MODEL

HOW IT WORKS



FLOOR PLAN



TECHNICAL SPECIFICATIONS

DIMENSIONS	PW2	PW4	PW8	PW12
Overall Dim's (cover open) H x D x W	67" x 45½" x 24¾"	67" x 45½" x 72¾"	67" x 45½" x 78¾"	67" x 45½" x 114⅞"
Overall Height (closed)(h)	42"			
Capacity	2 x 5 gal/19 L	4 x 5 gal/19 L	8 x 5 gal/19 L	12 x 5 gal/19 L
Pump capacity (gal/min)	46.2			
Air input (psi)	75-100			
Air consumption (cfm)	40			
Weight (lb)	325	650	1,300	1,950